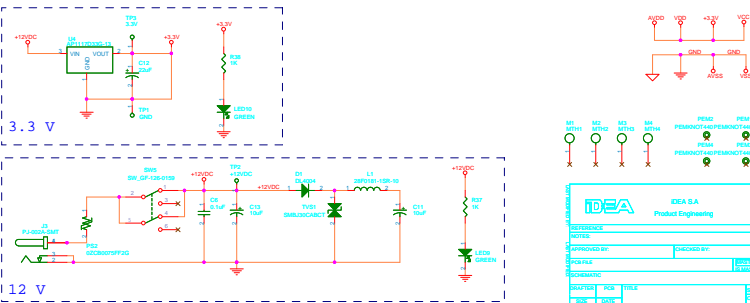
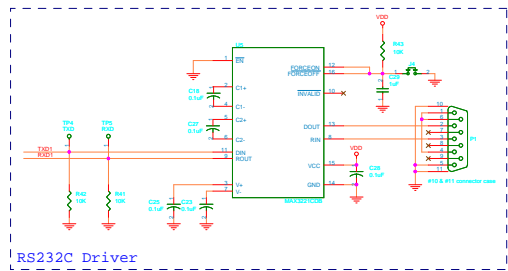


Input type Configuration for J1

Positive Voltage Source	E1A	E1B	J1C	J1D	VIN	IN +	IN -
Current Sink To Return	2-3	5-6	NC	7-8	NC	+Source	Return
Externally Wetted Contacts Individual Isolation	E1A	E1B	J1C	J1D	VIN	IN +	IN -
Dry Contacts Positive Common	E1A	E1B	J1C	J1D	VIN	IN +	IN -
Dry Contacts Return Common	2-1	5-4	NC	7-8	IN+	VIN	NC



IDEA Product Engineering

APPROVED BY: _____

DESIGNED BY: _____

DATE: _____

SCALE: _____

SIZE: _____

NO. OF SHEETS: _____

SHEET NO: _____